



# SPECIFICATION SHEET

Model #:	Qty:
Project #:	
Consultant:	

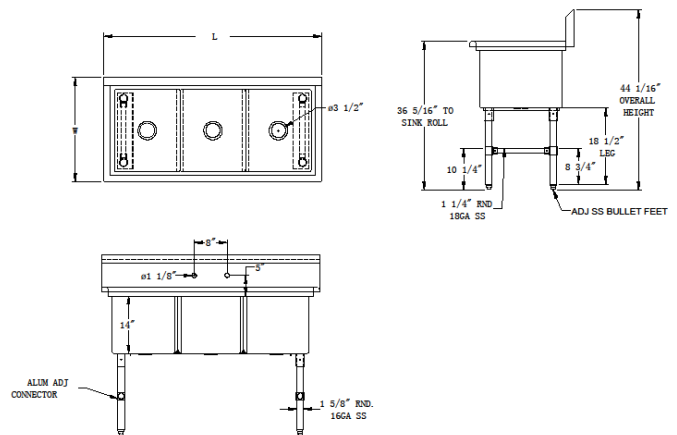
QUALITY FOOD SERVICE EQUIPMENT

## PREMIUM SINKS



## DIMENSIONS

3 bowls



## MATERIAL

- ◆ 16GA 300 stainless steel fabricated
- ◆ Stainless steel legs & gussets
- ◆ Stainless steel cross bracing
- ◆ Stainless steel bullet feet

## FEATURES

- ◆ 10"H backsplash with 2" return to wall
- ◆ 8" on center splash mount faucet holes (\*has 2 sets)
- ◆ 3-1/2" die-stamped drain opening
- ◆ Cross bracing for reinforced support
- ◆ Adjustable bullet feet

Model#	Bowl Size LxWxH	Length	Width
3SS-162014	16" X 20" X 14"	53-1/8"	25-1/2"
3SS-181814	18" X 18" X 14"	59-1/8"	23-1/2"
3SS-182414	18" X 24" X 14"	59-1/8"	29-1/2"
3SS-242414*	24" X 24" X 14"	77-1/8"	29-1/2"
3SS-203014	20" X 30" X 14"	65-1/8"	35-1/2"

(609) 642-8389 | sales@nbreqquipment.com | www.nbreqquipment.com